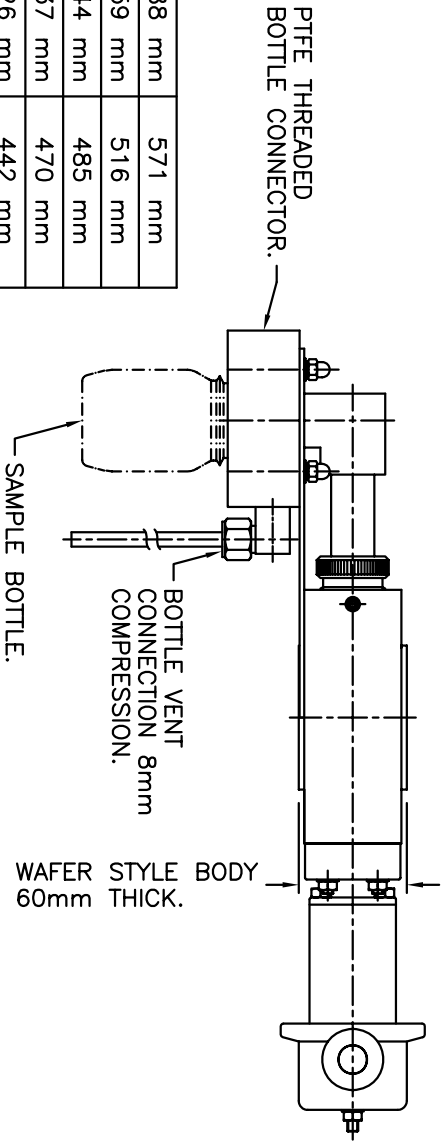
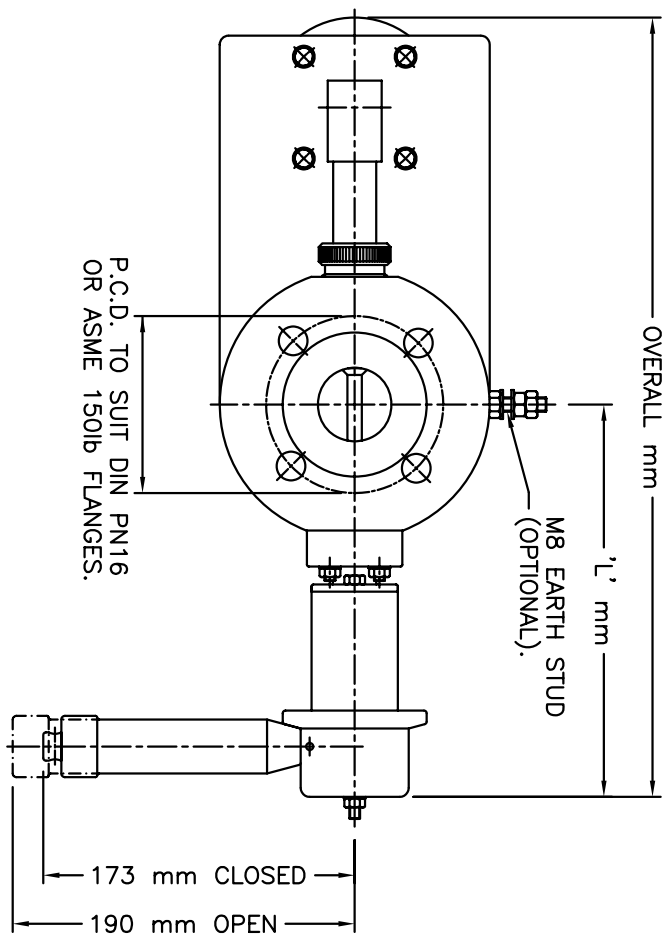


THIS DRAWING IS THE PROPERTY OF CRP FLEX-RITE LTD AND MUST NOT BE COPIED OR DISCLOSED TO A THIRD PARTY WITHOUT THE WRITTEN CONSENT OF CRP FLEX-RITE LTD.

Destroy all previous copies of this drawing

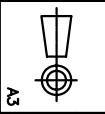
ISS	DATE	REMARKS
0	04.02.08	ORIGINAL
CKD		



6" ASME 150lb	288 mm	571 mm
4" ASME 150lb	259 mm	516 mm
3" ASME 150lb	244 mm	485 mm
2½" ASME 150lb	237 mm	470 mm
2" ASME 150lb	226 mm	442 mm
1½" ASME 150lb	218 mm	433 mm
1" ASME 150lb	200 mm	395 mm
VALVE SIZE	1" mm	OVERALL mm

OPERATING DATA	VALVE TYPE
SD-IL-300	SD-IL-400
316L St/St	PFA LINED
PRESSURE	16 bar Max
TEMPERATURE	10 bar Max
	-20 to +180°C

CRP FLEX-RITE Limited
LITTLEBOROUGH ENGLAND
www.crpamplng.com



DRAWN	T.B.	MATERIAL
DATE	04.02.08	SPEC'N
SCALE	1:3	CHK'D BY

N/A	N/A
-----	-----

DIMS mm

DO NOT SCALE

GENERAL TOLERANCES ± 5mm

TITLE

G.A. SD-IL-300/400 VERTICALLY MOUNTED SAMPLING DEVICE WITH THREADED BOTTLE CONNECTOR

DRAWING No SDD371
ISS 0